



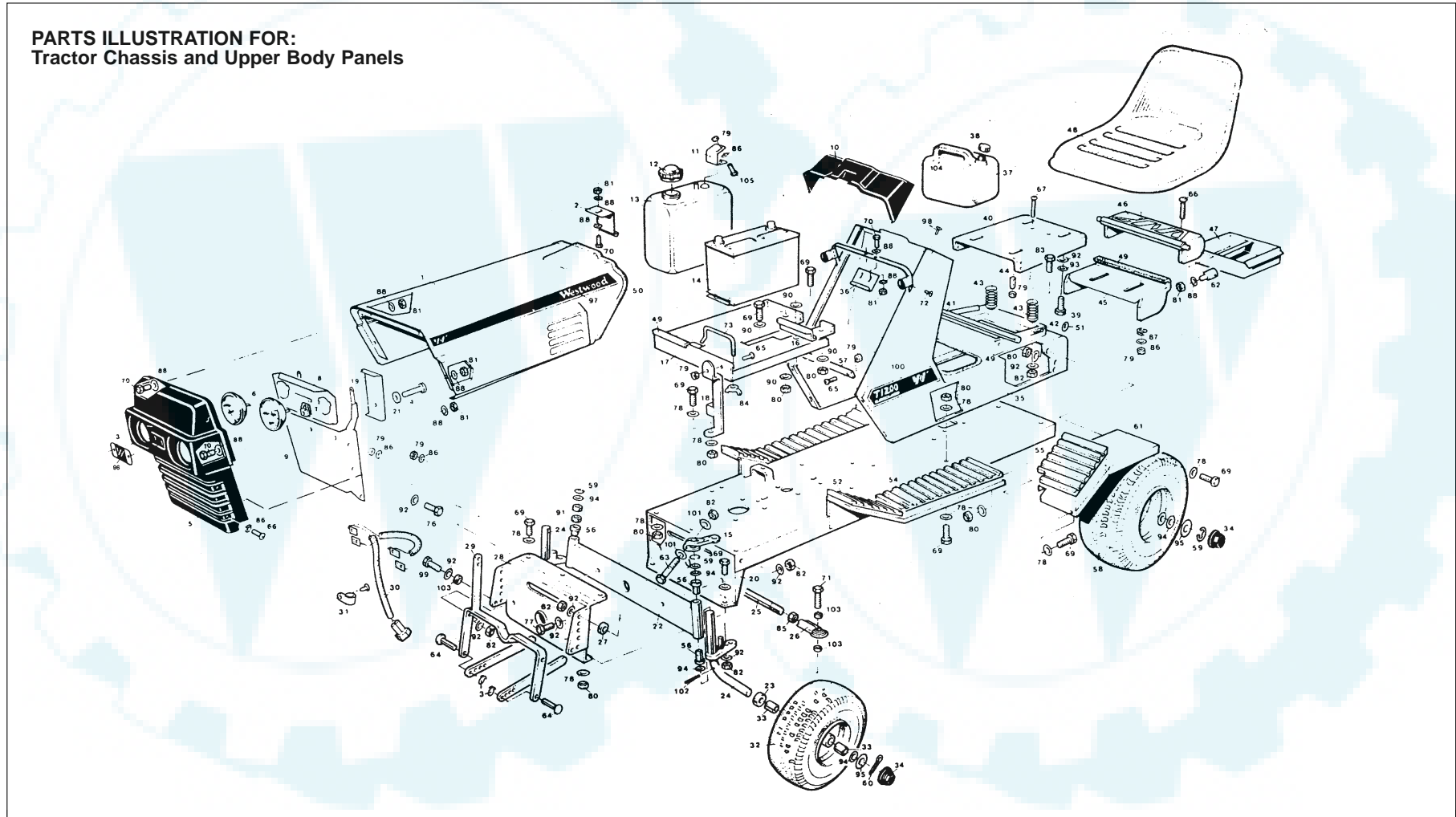
## WESTWOOD GARDEN TRACTORS 1990 PARTS CATALOGUE

# CONTENTS

	<b>PAGE No.</b>
TRACTOR CHASSIS AND UPPER BODY PANELS	2 – 4
BONNET & GRILLE ASSEMBLY – 16 AND 18 HP ONLY	5 – 6
STEERING, GEAR CHANGE AND ELECTRICAL CONTROLS	7 – 9
TRACTOR CHASSIS, PTO, BRAKE AND CUTTER ENGAGE CONTROLS	10 – 12
S1000 UPPER BODY PANELS, GEAR CHANGE AND CUTTER ENGAGE CONTROLS	13 – 14
30" SIDE DISCHARGE CUTTER DECK	15 – 16
36" STANDARD CUTTER DECK	17 – 18
42" CONTRA-ROTATING CUTTER DECK	19 – 20
CLIPPER CHASSIS, BODY PANELS AND CONTROLS	21 – 23
CLIPPER STEERING, ELECTRICS, FRONT WHEEL DRIVE, ETC	24 – 25
CLIPPER CUTTER DECK	26 – 27
CLIPPER VACUUM COLLECTOR	28 – 29



**PARTS ILLUSTRATION FOR:  
Tractor Chassis and Upper Body Panels**





## PARTS LIST FOR: Tractor Chassis and Upper Body Panels

Item	Part No	Description	Qty
1	4833	Bonnet (16 & 18HP Engines)	1
	4956	Bonnet (other models)	1
2	5430	Bonnet Catch Plate	1
3	1945	Split Ring	2
4	2764	Setscrew, M8 x 20mm	1
5	4682	Grille, Black Plastic	1
	6445	Grille, Grey Plastic	1
6	3727	Headlight	2
7	4309	Nut, M8 'J' Type	1
8	6214	Headlight Mounting Plate	1
9	5434	Grille Heat Shield	1
10	2943	Console Front, Black	1
	6443	Console Front, Grey	1
11	3959	Bracket, Fuel Tank	1
12	3963	Cap, Fuel Tank	1
13	3960	Fuel Tank	1
14	1209	Battery, Type 138	1
15	4930	Steering Arm	1
16	3411	Battery Clamp Bracket	1
17	3416	Battery/Fuel Tank Tray	1
18	3407	Support Bracket	1
19	6215	Headlight Retainer Plate	1
20	4929	Chassis Bracket, Rear	1
21	6122	Washer, M8	1
22	2296	Axle Beam	1
23	1986	Wheel Spacer	1
24	6200	Stub Axle, LH	1
	6201	Stub Axle, RH	1
25	4961	Track Rod	1
26	4933	Ball Joint	2
27	3683	Spacer	2
28	4926	Chassis Bracket, Front	1
29	5506	Hitching Bracket (36" Cutter Decks)	1
	3944	Hitching Bracket (30" & 42" Cutter Decks)	1

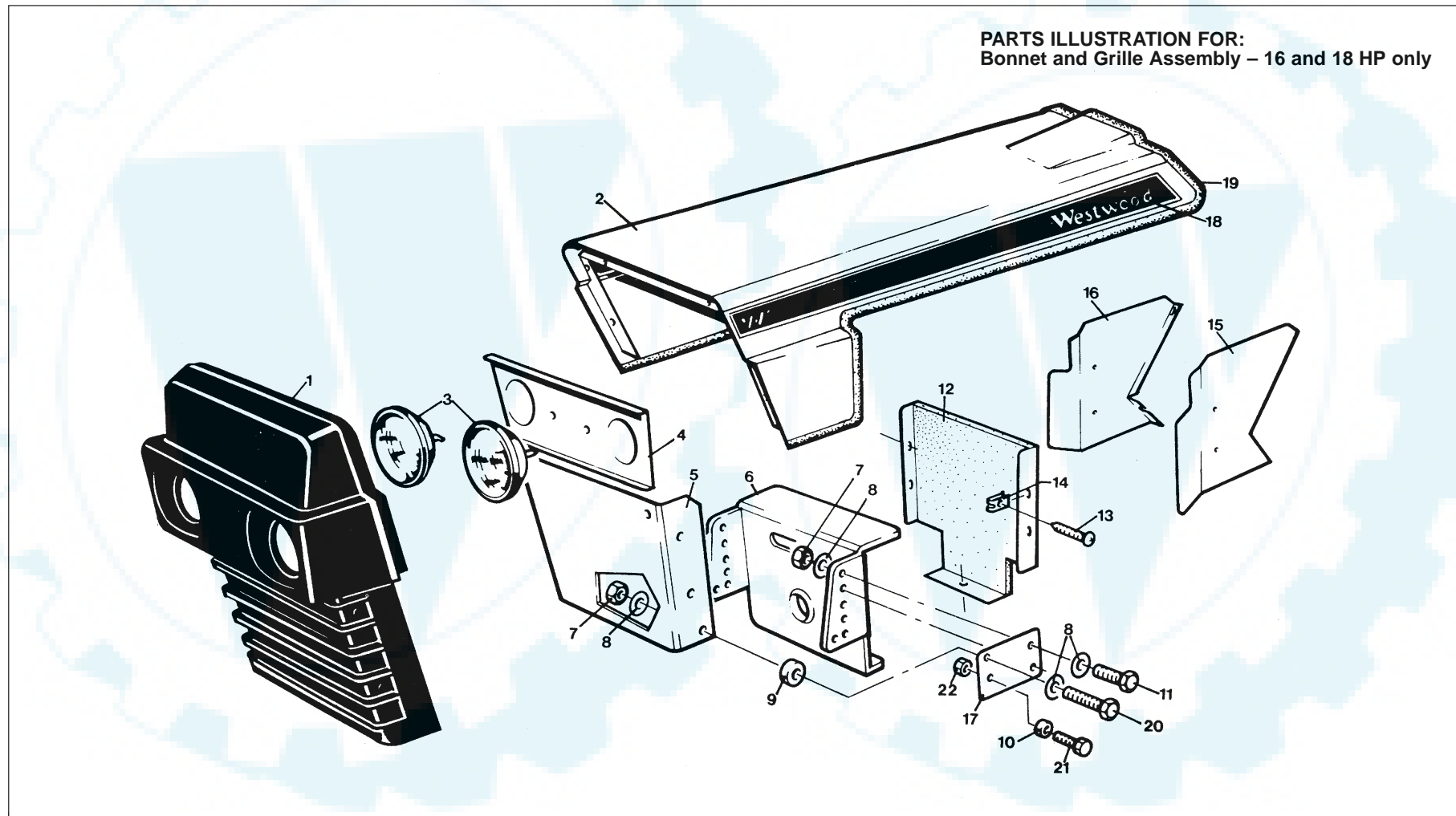
Item	Part No	Description	Qty
30	3512	Headlamp Wiring Harness (16 & 18 HP Engines)	1
37	3716	Cable Clip	1
32	1749	Front Wheel Assembly (13 x 5.00 6)	1
	2797	Front Wheel Rim	1
	1163	Tyre	1
	1201	Inner Tube	1
	2796	Front Wheel Assembly (15 x 6.00 8)	1
	1541	Wheel Rim	1
	1539	Tyre	1
	1540	Inner Tube	1
33	3354	Bush, Oilite	4
34	2068	Hub Cap	1
35	2862	Body Assembly	1
36	5431	Bonnet Catch, Lower	1
37	1658	Fuel Can	1
38	1659	Cap, Fuel Can	1
39	2034	Setscrew, 3/8" UNF x 3/4" long	4
40	2912	Seat Plate	1
41	5744	Seat Plate Pin	1
42	1225	'R' Clip	1
43	2898	Seat Spring	2
44	3290	Boss, Spring Locating	2
45	3532	PTO Flap (Inner)	1
46	3531	PTO Flap (Outer)	1
47	2919	Tool Tray	1
48	5035	Seat (Black)	1
	6446	Seat (Grey)	1
49	4229	Beading	p/ft
50	4832	Seal	p/ft
51	4831	Starlock Fastener	1
52	5644	Foot Mats (Black), Front	1pr
	6480	Foot Mats (Grey), Front	1pr
53		Not Allocated	
54	5646	Foot Mats (Black), Centre	1pr

Item	Part No	Description	Qty
	6481	Foot Mats (Grey), Centre	1 pr
55	5646	Foot Mats (Black), Rear	1 pr
	6482	Foot Mats (Grey), Rear	1 pr
56	3355	Flanged Bush, Delrin 500	4
57	3359	Support Bracket	2
58	1746	Rear Wheel Assembly (16 x 6.50 8)	2
	1662	Wheel Rim	2
	1747	Tyre	2
	1748	Tube	2
	1586	Rear Wheel Assembly (18 x 8.50 8)	2
	1662	Wheel Rim	2
	1587	Tyre	2
	1588	Inner Tube	2
59	1663	'E' Clip	3
60	1227	Split Pin, 1/8" dia x 1 3/4" long	2
61	5442	Mudguard, LH	1
	5443	Mudguard, RH	1
62	3516	Hinge Pin	2
63	1267	Bolt, 3/8" UNF x 2 1/2" long	1
64	3349	Pin, Hitch Mounting	2
65	1734	Machine Screw, 2BA x 1/2" long	3
66	1735	Machine Screw, 2BA x 3/4" long	6
67	4215	Machine Screw, 2BA x 1 1/4" long	2
68		Not Allocated	
69	1982	Setscrew, 5/16" UNF x 3/4" long	22
70	1156	Setscrew, 1/4" UNF x 3/4" long	10
71	1997	Bolt, 3/8" UNF x 1 3/4" long	2
72	5637	Screw, Self Tapping No.6 x 3/8"	2
73	6204	Battery Retaining Bar	1
74		Not Allocated	
75		Not Allocated	
76	1054	Bolt, 3/8" UNF x 1 1/2" long	2
77	1200	Bolt, 3/8" UNF x 2 1/4" long	2
78	1970	Washer, 5/16" dia. (T4L)	24
79	1053	Nut, 2BA Nyloc	37

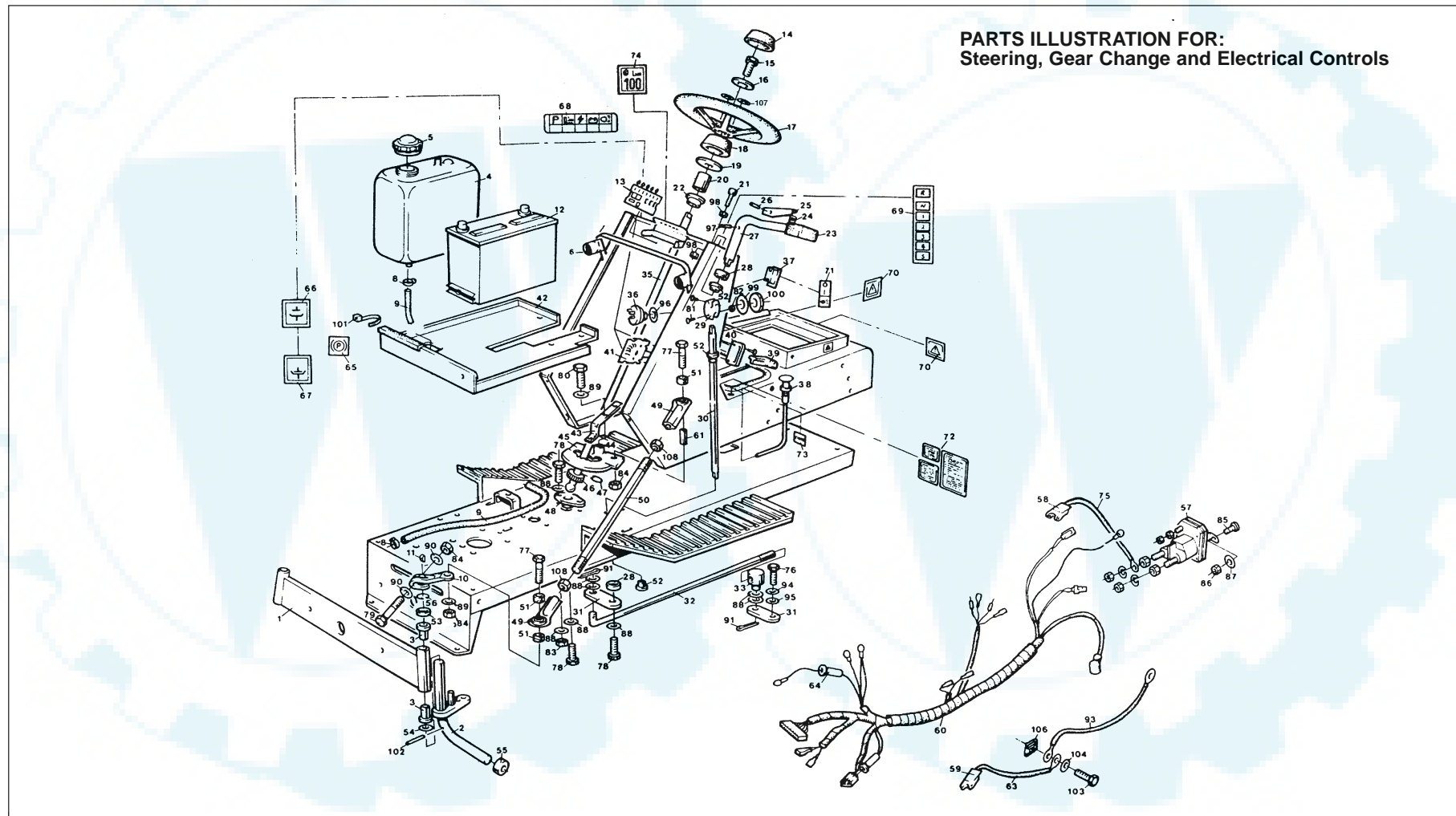


## PARTS LIST FOR: Tractor Chassis and Upper Body Panels

Item	Part No	Description	Qty	Item	Part No	Description	Qty	Item	Part No	Description	Qty
80	1273	Nut, 5/16" UNF Nyloc	83		4838	Logo – LASER L80, RH	1				
81	1270	Nut, 1/4" UNF Nyloc	9		4839	Logo – LASER L95, LH	1				
82	1324	Nut, 3/8" UNF Nyloc	36		4840	Logo – LASER L95, RH	1				
83	2015	Setscrew, 3/8" UNF x 1" long	2		4841	Logo – LASER L110, LH	1				
84	6205	Wing Nut, 1/4" UNC	1		4842	Logo – LASER L110, RH	1				
85	3792	Locknut, 3/8" UNF	2		4843	Logo – LASER L120, LH	1				
86	1962	Washer, 2BA	62		4844	Logo – LASER L120, RH	1				
87	1973	Washer, 2BA Coil Spring	2		6371	Logo – MOUNTFIELD 11/30, LH	1				
88	1331	Washer, 1/4" dia. (T3L)	20		6372	Logo – MOUNTFIELD 11/30, RH	1				
89	3947	Washer, 3/16" ID x 1" OD	2		6436	Logo – MOUNTFIELD 11/36, LH	1				
90	1105	Washer, 5/16" dia. (T3L)	4		6437	Logo – MOUNTFIELD 11/36, RH	1				
91	5479	Spacer, Stub Axle	2		6434	Logo – MOUNTFIELD 16/42, LH	1				
92	1323	Washer, 3/8" dia. (T3L)	20		6435	Logo – MOUNTFIELD 16/42, RH	1				
93	1633	Washer, 3/8" dia. Shakeproof	4	101	2847	Washer, 25/64" ID x 7/8" OD x 10g	2				
94	3712	Washer, Shim 20g	As req	102	1553	Roll Pin, 1/8" dia. x 1 1/2" long	2				
	3713	Washer, Shim 16g	As req	103	1680	Spacer	4				
95	3908	Washer, Hub Cap	4	104	3440	Label – 'Safety First'	1				
96	4973	Logo – WESTWOOD	1	105	1148	Bolt, 2BA x 3/4" long	1				
	5410	Logo – LASER	1								
	6376	Logo – MOUNTFIELD	1								
97	4970	Logo – WESTWOOD, LH	1								
	4971	Logo – WESTWOOD, RH	1								
	4835	Logo – LASER, LH	1								
	4836	Logo – LASER, RH	1								
	6408	Logo – MOUNTFIELD	2								
	6433	Logo – HONDA	2								
98	1629	Screw, Self Tapping, No.6	2								
99	1948	Setscrew, 3/8" UNF x 1 1/4" long	2								
100	4974	Logo – T1200, LH	1								
	4975	Logo – T1200, RH	1								
	4984	Logo – T1600, LH	1								
	4985	Logo – T1600, RH	1								
	4997	Logo – T1800, LH	1								
	4898	Logo – T1800, RH	1								
	4837	Logo – LASER L80, LH	1								







**PARTS ILLUSTRATION FOR:  
Steering, Gear Change and Electrical Controls**



## PARTS LIST FOR: Steering, Gear Change and Electrical Controls

Item	Part No	Description	Qty
1	2296	Axle Beam	1
2	6200	Stub Axle, LH	1
	6201	Stub Axle, RH	1
3	3355	Bush, Flanged (Delryn)	4
4	3960	Fuel Tank	1
5	3963	Cap, Fuel Tank	1
6	4148	Grommet	1
7	2066	Key, Ignition	1
8	3940	Snapper Clip, No.6	6
9	3859	Fuel Pipe	As req
10	4930	Steering Arm	1
11	1098	Woodruff Key, No.608	1
12	1209	Battery, Type 138	1
13	3587	Printed Circuit Board (PCB)	1
	5484	PCB (Kohler engines only)	1
14	5425	Cover, Steering Wheel	1
15	1334	Bolt $\frac{5}{16}$ " UNF x $\frac{3}{4}$ " long	1
16	4808	Washer, Flat Hardened	1
17	3946	Steering Wheel (Black)	1
	6447	Steering Wheel (Grey)	1
18	5426	Steering Wheel, Shroud	1
19	4771	Steering Wheel, Washer	1
20	4770	Steering Column Spacer	1
21	5599	Socket Screw, $\frac{1}{4}$ " UNF x $1\frac{1}{4}$ "	1
22	3539	Bush, Steering Column	2
23	2649	Knob	1
24	2925	Spring	1
25	2884	Gear Lever Latch	1
26	1457	Roll Pin $\frac{1}{8}$ " dia x $\frac{3}{4}$ " long	1
27	2881	Gear Lever, Upper	1
28	3582	Spacer	2
29	2883	Knuckle, Gear Change	1
30	2882	Gear Lever, Lower	1
31	4718	Gear Change Lever	2
32	4719	Gear Change Rod	1

Item	Part No	Description	Qty
33	1694	Swivel	1
34	5600	Bezel, Ignition Switch (Not Illustrated)	1
35	3475	Steering Column	1
36	2703	Ignition Switch	1
	2066	Ignition Key (Not illustrated)	1
37	3561	Switch, Headlights	1
38	3559	Choke Control (16 and 18 HP engines only)	1
39	2010	Throttle Knob	1
40	4144	Throttle Plate (10 and 11 HP engines)	1
	4145	Throttle Plate (18 HP Kohler)	1
	4146	Throttle Plate (12 $\frac{1}{2}$ " HP Kohler)	1
41	1507	Throttle Control (B and S engines)	1
	5482	Throttle Control (12 $\frac{1}{2}$ " HP Kohler)	1
	1808	Throttle Control (16 HP engine)	1
	5444	Throttle Control (18 HP Kohler)	1
42	3416	Battery/Fuel Tank Tray	1
43	3401	Bridge, Steering Quadrant	1
44	3400	Bush, Steering Quadrant	1
45	3403	Steering Quadrant	1
46	2276	Steering Gear	1
47	2589	Clip 'E'	2
48	1699	Steering Column Base	1
49	4933	Ball Joint	2
50	4960	Drag Link	1
	5485	Drag Link (Kohler 12.5 HP engines only)	1
51	1680	Spacer, Ball Joint	2
52	3541	Bush, Gear Change	2
53	5479	Spacer, Stub Axle	2
54	3712	Washer Shim, 20g	As req
	3713	Washer Shim, 16g	As req
55	1980	Spacer, Front Wheel	2
56	1663	'E' Clip	2
57	1530	Solenoid	1
58	2090	Battery Connector – Red	1

Item	Part No	Description	Qty
59	2091	Battery Connector – Blue	1
60	3547	Wiring Loom (16 HP engine)	1
	4717	Wiring Loom (10 and 11 HP engines)	1
	5855	Wiring Loom (Kohler engines)	1
	6453	Wiring Loom (12 HP B & S engines)	1
61	3117	Spacer	1
62		Not Allocated	
63	3678	Battery Earth Lead	1
64	3599	Fuse Holder	2
	4044	Fuse, 10 Amp, Anti Surge	2
	5616	Fuse, 20 Amp (Kohler Engines)	2
65	3437	Label, Park Brake	1
66	3436	Label, Cutter Disengage	1
67	3435	Label, Cutter Engage	1
68	3956	Label, Indicator Lights	1
69	3484	Label, Gear Change	1
70	4967	Label, Hazard (small)	4
71	3431	Label, Headlight Switch	1
72	4969	Label, Operating Instructions	1
73	3605	Label, Choke (16 and 18 HP engines)	1
74	4972	Label, EEC Noise	1
75	1814	Battery Positive Lead	1
76	1156	Setscrew, $\frac{1}{4}$ " UNF x $\frac{3}{4}$ " long	1
77	1997	Bolt, $\frac{3}{8}$ " UNF x $1\frac{3}{4}$ " long	2
78	1982	Setscrew, $\frac{5}{16}$ " UNF x $\frac{3}{4}$ " long	3
79	1267	Bolt, $\frac{3}{8}$ " UNF x $2\frac{1}{2}$ " long	1
80	2025	Bolt, $\frac{3}{8}$ " UNF x $2\frac{3}{4}$ " long	1
81	3688	Setscrew, M5 x 25mm long	2
82	3689	Nut, M5 Nyloc	2
83	1273	Nut, $\frac{5}{16}$ " UNF Nyloc	3
84	1324	Nut, $\frac{3}{8}$ " UNF Nyloc	4
85	1143	Machine Screw, 2BA x $\frac{7}{8}$ " long	3
86	1053	Nut, 2BA Nyloc	3
87	1962	Washer, 2BA	6
88	1105	Washer, $\frac{5}{16}$ " dia. (T3L)	18



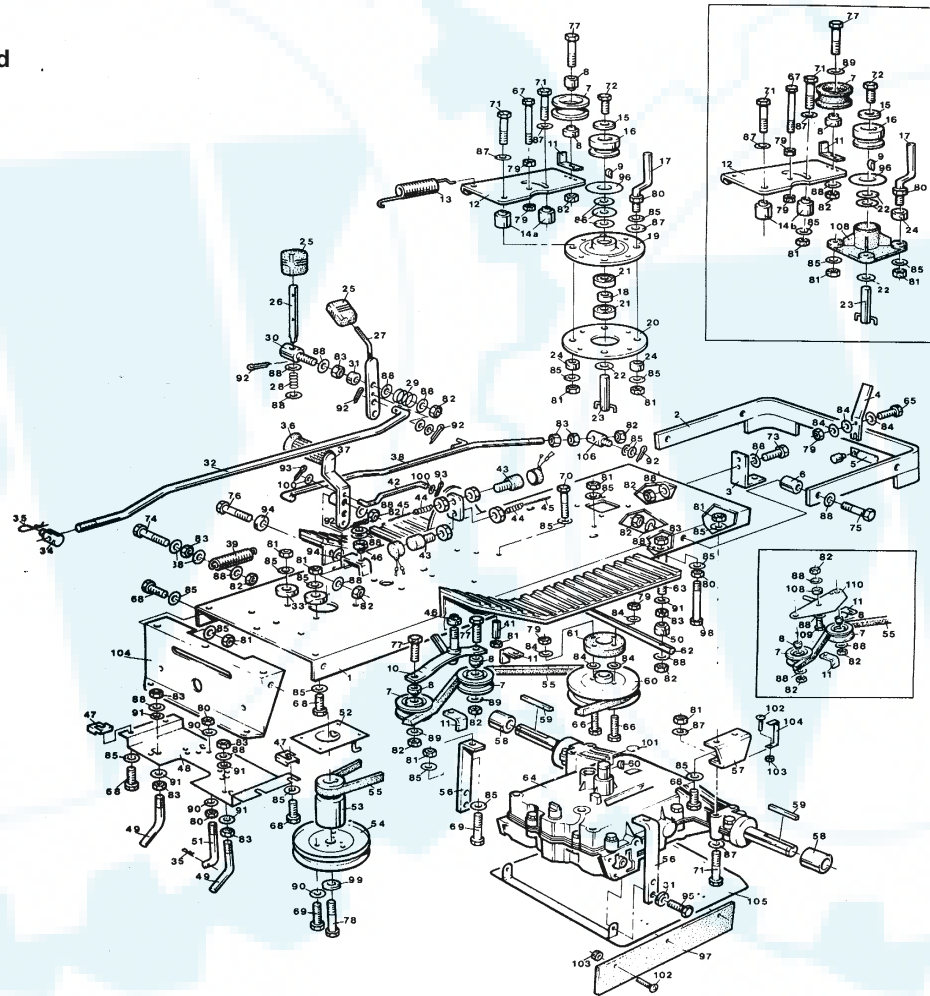


## PARTS LIST FOR: Steering, Gear Change and Electrical Controls

Item	Part No	Description	Qty	Item	Part No	Description	Qty	Item	Part No	Description	Qty
89	4124	Washer, 3/8" dia. (T5L)	2								
90	2847	Washer, 25/64" ID x 7/8" OD	2								
91	1233	Split Pin 1/8" dia. a x 3/4" long	2								
92	3792	Locknut, 3/8" UNF	2								
93	3460	Solenoid Earth Lead	1								
94	1331	Washer, 1/4" dia.	2								
95	4242	Washer, Special	1								
96	2049	Washer, 5/8" Shakeproof	1								
97	2050	Roll Pin, 1/8" dia. x 1" long	2								
98	2042	Nut, 1/4" UNF Nyloc	2								
99	1976	Washer, 5/8" ID x 1" OD	1								
100	2065	Nut, Ignition Switch	1								
101	2080	Loom Tie	1								
102	1553	Roll Pin, 1/8" dia. x 1 1/2" long	2								
103	5480	Setscrew, M8 x 30mm long	1								
104	4180	Washer, M8	2								
105	2044	Nut, M8 Nyloc	1								
106	4309	Nut, 'J' Type	1								
107	2840	Washer	2								
108	3792	Locknut, 3/8" UNF	2								



**PARTS ILLUSTRATION FOR:  
Tractor Chassis, PTO, Brake and  
Cutter Engage Controls**





## PARTS LIST FOR: Tractor Chassis, PTO, Brake and Cutter Engage Controls

Item	Part No	Description	Qty
1	4927	Chassis	1
2	4963	Accessory Mounting Frame	1
3	2246	Tow Hitch	2
4	3478	Lever	2
5	3682	Latch Pin	2
6	3117	Pivot Bush	2
7	5822	Jockey Pulley	3
8	5478	Shouldered Spacer (Jockey Pulley)	3
9	3728	Woodruff Key, No.806	1
10	2715	Jockey Arm	1
11	5477	Belt Guide (Jockey Pulley)	3
12	2786	Jockey Plate	1
13	2791	Spring, Jockey Plate	1
14a	2787	Shouldered Spacer (Jockey Plate)	2
14b	6452	Shouldered Spacer (Jockey Plate)	2
15	1006	Washer, Hardened Domed	1
16	4337	Pulley, PTO Drive	1
17	3378	Belt Guide, PTO	1
18	4245	Bearing Spacer	1
19	3552	Bearing Housing (Upper)	1
20	3639	Bearing Housing (Lower)	1
21	1180	Bearing, NSK 6205-RS	2
22	5720	Washer (T/Axle Type 801-030)	1
	4246	Spacer (T/Axle Type 832)	1
23	4252	Shaft, PTO Drive	1
	4251	Shaft, PTO Drive (S1000 only)	1
24	3748	Spacer, PTO/Chassis Mounting	4
25	2648	Knob	2
26	2643	Park Brake Plunger	1
27	2644	Lever, Cutter Engage	1
	6360	Lever, PTO Engage (not shown)	1
28	2003	Spring, Park Brake	1
29	1613	Spring, Engage Lever	1
30	2302	Pivot Boss	1
31	3863	Spacer	5

Item	Part No	Description	Qty
32	4340	Rod, Cutter Engage	1
	6396	Rod, Cutter Engage (S1000 only)	1
	6217	Rod, Cutter Engage (18 HP Kohler)	1
33	2351	Spacer, 1 1/4" OD x 25/64" ID x 1/2" long	4
	4893	Spacer, 1 1/4" OD x 25/64" ID x 1"	4
	5445	Engine Mounting Plate, Front (Kohler 18 HP engines only)	1
40	5446	Engine Mounting Plate, Rear (Kohler 18 HP engines only)	1
34	1695	Swivel, Engage Rod	1
35	1225	'R' Clip	1
36	2009	Foot Pedal Rubber	1
37	6082	Foot Pedal Arm	1
38	1710	Rod, Brake Operating	1
39	2103	Spring, Clutch	1
40		Not Allocated	
41	2593	Spacer, Gear Stop	1
42	3405	Rod, Brake Safety Switch	1
43	3414	Switch, Safety	2
44	3463	Spring, Tension	2
45	2592	Chain	2
46	3540	Bush, Flanged 1/2" ID x 5/16" OD x 1/2"	2
47	4245	Nut, 5/16" UNF Captive	3
48	4225	Plate, Belt Guide	1
49	4256	Belt Guide	2
50	4328	Spacer, Hanger Bar	1
51	2319	Pin, Retaining	1
52	3467	Belt Guide	1
	3469	Belt Guide (16 and 18 HP engines)	1
53	6442	Engine Pulley Block 5", 2 Grooved	1
	6796	Engine Pulley Block 5 3/4", 3 Grooved	1
	1602	Drive Key	1
	4815	Drive Key (S1000 only)	1
54	1558	Pulley, Cutter Drive	1
	3750	Pulley, Cutter Drive (30" Decks only)	1

Item	Part No	Description	Qty
55	1688	Belt, Transmission (1688-42-5645)	1
56	2831	Bracket, Transaxle Front	2
57	3482	Bracket, Rear, T/Axle Type 801-030	2
	3483	Bracket, Rear, T/Axle Type 832	2
58	1715	Spacer, Rear Wheel	2
59	1664	Drive Key (Rear Wheels)	2
60	3392	Pulley, Transaxle	1
	3395	Pulley, Transaxle (16 and 18 HP only)	1
	1104	Woodruff Key, No.606	1
61	3391	Flexible Coupling, PTO	1
	3606	Spacers	2
62	3991	Hanger Bar	1
63	3992	Support, Hanger Bar	2
64	2018	Transaxle, Peerless Type 832	1
	2019	Transaxle, Peerless Type 801-030	1
65	1156	Setscrew, 1/4" UNF x 3/4" long	2
66	2022	Bolt, 1/4" UNF x 1 1/4" long	2
67	3396	Bolt, 1/4" UNF x 2 1/2" long	1
68	1982	Setscrew, 5/16" UNF x 3/4" long	8
69	2031	Setscrew, 5/16" UNF x 1" long	5
70	1321	Bolt, 5/16" UNF x 1 1/2" long	4
71	1978	Bolt, 5/16" UNF x 2 1/2" long	6
72	1051	Setscrew, 3/8" UNF x 1" long (Nyloc)	1
73	2015	Setscrew, 3/8" UNF x 1" long	1
74	1948	Setscrew, 3/8" UNF x 1 1/4" long	1
75	1054	Bolt, 3/8" UNF x 1 1/2" long	2
76	1267	Bolt, 3/8" UNF x 2 1/2" long	1
77	1319	Bolt, 3/8" UNF x 2" long	3
78	3755	Bolt, 7/16" UNF x 3 1/2" long	1
	3655	Bolt, M10 x 90mm long (Kohler)	1
	4342	Bolt, 7/16" UNF x 4 1/2" long (Honda)	1
	6202	Bolt, 3/8" UNF x 3" long (S1000 only)	1
79	1270	Nut, 1/4" UNF Nyloc	6
80	2040	Nut, 5/16" UNF Plain	4
81	1273	Nut, 5/16" UNF Nyloc	16



**PARTS LIST FOR:**  
**Tractor Chassis, PTO, Brake and Cutter Engage Controls**

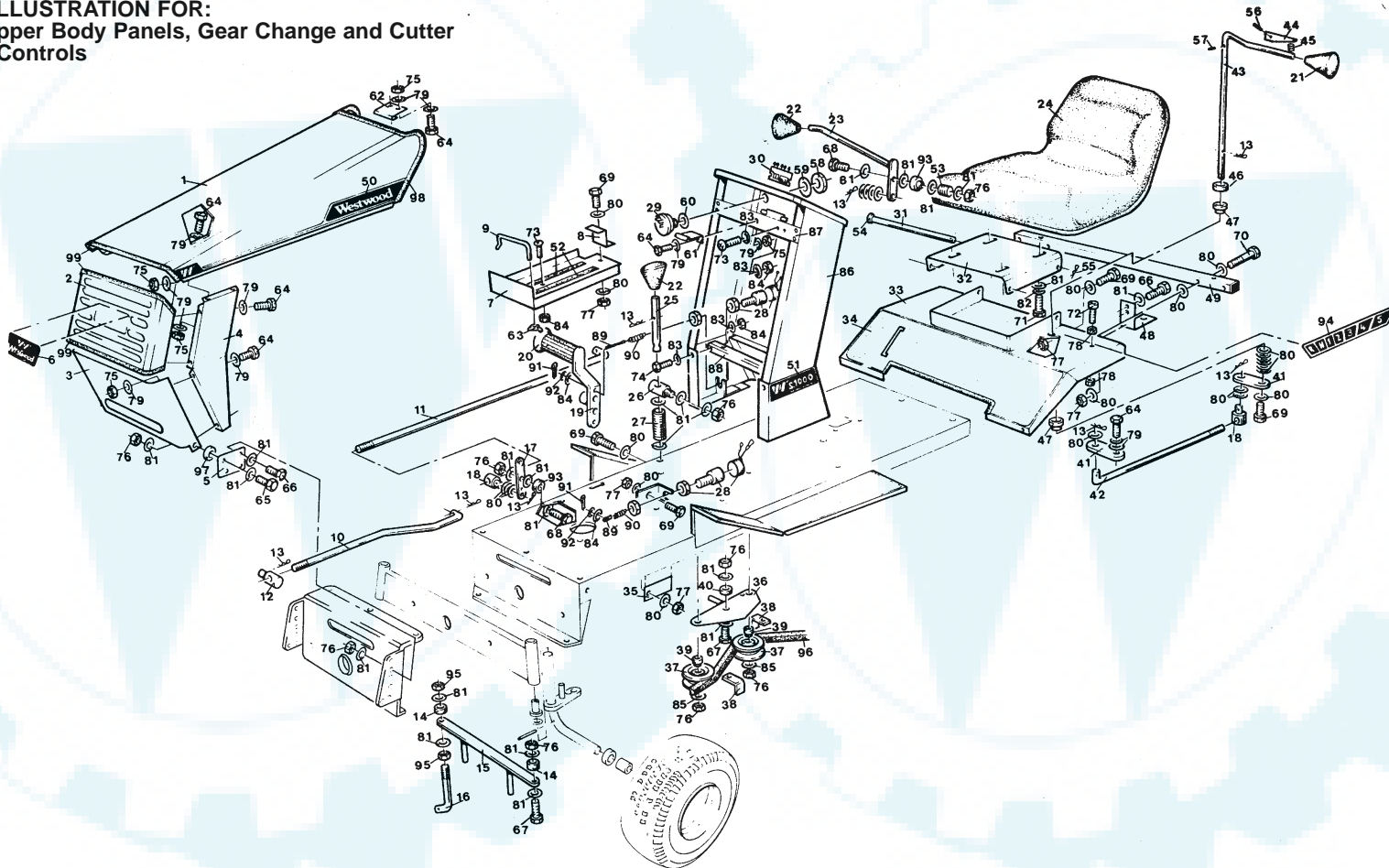
Item	Part No	Description	Qty
82	1324	Nut, 3/8" UNF Nyloc	8
83	1422	Nut, 3/8" UNF Plain	10
84	1331	Washer, 1/4" dia. (T3L)	7
85	1105	Washer, 5/16" dia. (T3L)	30
86	2641	Washer	2
87	3613	Washer, 5/16" dia. (T5L)	15
88	1323	Washer, 3/8" dia. (T3L)	13
89	2847	Washer, Jockey Pulley	3
90	2048	Washer, 5/16" Shakeproof	5
91	1633	Washer, 3/8" Shakeproof	8
92	1233	Split Pin, 1/8" dia. x 3/4" long	5
93	3721	Split Pin, 2mm dia. x 20mm long	2
94	4124	Washer, 1" OD x 3/8" ID	2
95	3845	Bolt, 5/16" UNF x 3/4" long (Taptite)	4
96	4308	Disc, PTO Drive Belt Support	1
97	3324	Deflector, Rubber	1
98	1312	Bolt, 5/16" UNF x 3" long	1
99	1737	Washer, 7/16" dia.	2
100	1692	Washer, 2BA	4
101	4204	Circlip, 5/8" dia.	1
102	2021	Machine Screw, 4BA x 1/2" long	5
103	1144	Nut, 4BA Nyloc	5
104	4929	Chassis Front, Rear	11
105	4858	Grass Deflector Assembly	1
106	1694	Swivel	1
107	4818	Bearing Housing, Moulded. c/w Bearings	1
108	6159	Bush, Jockey Plate	1
109	3610	Setscrew, 3/8" UNF x 1 1/2" long	1
110	6161	Jockey Plate	1

Item	Part No	Description	Qty
------	---------	-------------	-----

Item	Part No	Description	Qty
------	---------	-------------	-----



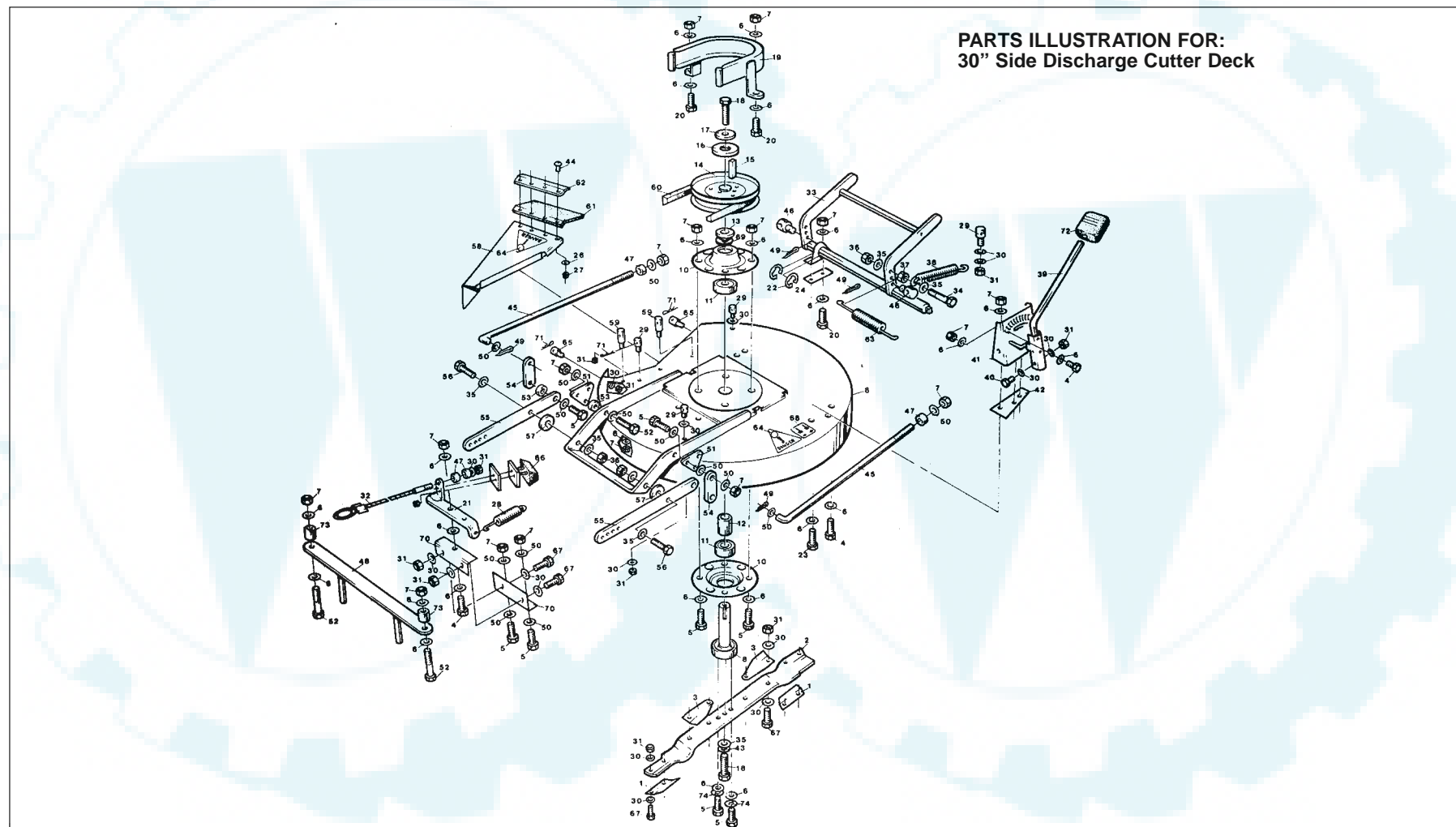
**PARTS ILLUSTRATION FOR:  
S1000 Upper Body Panels, Gear Change and Cutter  
Engage Controls**





## PARTS LIST FOR: S1000 Upper Body Panels, Gear Change and Cutter Engage Controls

Item	Part No	Description	Qty	Item	Part No	Description	Qty	Item	Part No	Description	Qty
1	6382	Bonnet	1	35	6349	Shield, Brake Pin	1	68	1948	Setscrew, 3/8" UNF x 1 1/4" long	2
2	6378	Grille, Upper	1	36	6161	Jockey Plate	1	69	1982	Setscrew, 5/16" UNF x 3/4" long	7
3	6377	Grille, Lower	1	37	5882	Jockey Pulley	2	70	1266	Bolt, 5/16" UNF x 1 3/4" long	2
4	6379	Grille Side, LH	1	38	5477	Belt Guide	2	71	2034	Setscrew, 3/8" UNF x 3/4"	4
	6380	Grille Side, RH	1	39	5478	Bush, Jockey Pulley	2	72	5599	Socket Screw, 1/4" UNF x 1 1/4" long	1
5	4846	Pivot Plate, Bonnet	1	40	6159	Bush, Jockey Plate	1	73	1734	Machine Screw, 2BA x 1/2" long	2
6	4973	Logo, Grille	1	41	4718	Plate, Gear Lever	2	74	3020	Setscrew, 2BA x 1" long	2
7	6388	Battery Tray	1	42	6403	Rod, Gear Change	1	75	1270	Nut, 1/4" UNF Nyloc	16
8	6389	Battery Clamp	1	43	6402	Lever, Gear Change	1	76	1324	Nut, 3/8" UNF Nyloc	10
9	6204	Battery Retaining Bar	1	44	2884	Latch, Gear Lever	1	77	1273	Nut, 5/16" UNF Nyloc	11
10	6395	Engage Rod, short	1	45	2925	Spring, Compression	1	78	2042	Locknut, 1/4" UNF	2
11	6396	Engage Rod, long	1	46	4809	Spacer, Gear Lever	1	79	1331	Washer, 1/4" T3L	16
12	1695	Swivel, Engage Rod	1	47	3541	Bush, Gear Lever	2	80	1105	Washer, 5/16" T3L	11
13	4086	'R' Clip, small	8	48	2246	Tow Hitch	1	81	1323	Washer, 3/8" T3L	12
14	4372	Spacer	2	49	3933	Mounting Bar	1	82	1633	Washer, 3/8" Shakeproof	4
15	3746	Belt Guide Assembly	1	50	6364	Logo, Bonnet, LH	1	83	1962	Washer, 2BA T1	9
16	3743	Retaining Pin	1		6365	Logo, Bonnet, RH	1	84	1053	Nut, 2BA Nyloc	7
17	6397	Link, Engage Rods	1	51	6361	Logo, Console, LH	1	85	2847	Washer, Jockey Pulley	2
18	1694	Swivel	2		6362	Logo, Console, RH	1	86	6386	Console Assembly	1
19	6082	Foot Pedal Assembly	1	52	9003	Foam Strip	2	87	6392	Console Bracket	1
20	2009	Foot Pedal Rubber	1	53	1613	Spring, Compression	1	88	6387	Battery Tray Support	1
21	2649	Knob, 1/2"	1	54	4831	Starlock Fastener	2	89	2592	Chain	2
22	2648	Knob, 3/8"	2	55	1225	'R' Clip, large	3	90	3463	Spring, Tension	2
23	6400	Lever, Engage Control	1	56	2050	Roll Pin, 1/8" x 7/8"	1	91	1233	Split Pin, 1/8" x 3/4"	2
24	5035	Seat	1	57	1457	Roll Pin, 1/8" x 3/4"	1	92	1067	Washer, 4BA T1	2
25	2643	Park Brake Plunger	1	58	2065	Nut, Ignition Switch	1	93	3146	Spacer, Engage Lever	2
26	6438	Lock Bolt, Park Brake	1	59	1976	Washer, 1" x 5/8"	1	94	6363	Label, Gear Change	1
27	2003	Spring, Compression	1	60	2049	Washer, 5/8" Shakeproof	1	95	3792	Locknut, 3/8" UNF	2
28	3414	Switch, Safety	2	61	5431	Catch Plate, Chassis	1	96	1688	Belt, Transmission 42-5654	1
29	2703	Switch, Ignition	1	62	5430	Catch Plate, Bonnet	1	97	3683	Spacer, Bonnet Pivot	2
30	3587	Printed Circuit Board	1	63	6205	Wing Nut, 1/4" UNC	1	98	4832	Trim, Baines DX 77	As req
31	5744	Pin, Seat Retaining	2	64	1156	Setscrew, 1/4" UNF x 3/4" long	17	99	6305	Trim, Baines No.694	As req
32	6406	Seat Plate	1	65	1054	Bolt, 3/8" UNF x 1 1/2" long	2				
33	6405	Mudguard Assembly	1	66	2015	Setscrew, 3/8" UNF x 1" long	4				
34	6306	Flex Tred	As req	67	3610	Setscrew, 3/8" UNF x 1 1/2" long	2				
									2066	NOT ILLUSTRATED Ignition key	1



PARTS ILLUSTRATION FOR:  
30" Side Discharge Cutter Deck



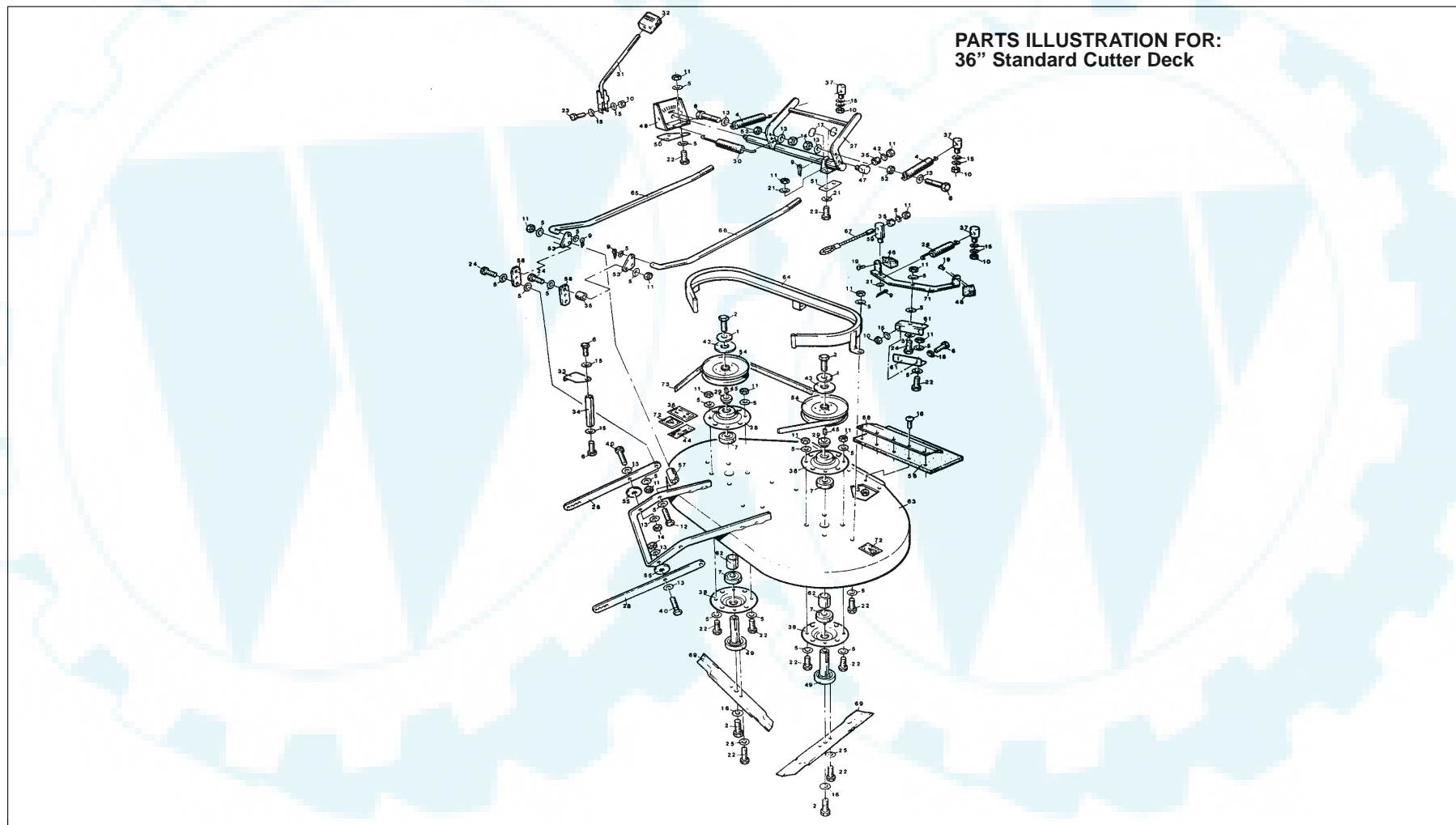
## PARTS LIST FOR: 30" Side Discharge Cutter Deck

Item	Part No	Description	Qty
1	4314	Blade Extension, small	2
2	5453	Blade, Heavy Duty	1
	6093	Reinforcing Strip (for 5453 30" Blade)	1
3	4317	Blade Extension, large	2
4	2031	Setscrew, 5/16" UNF x 1" long	18
5	1982	Setscrew, 5/16" UNF x 3/4" long	4
6	1970	Washer, 5/16" plain (T4L)	25
7	1273	Nut, 5/16" UNF Nyloc	23
8	3871	Deck, Welded Assembly	1
9	3759	Cutter Shaft Assembly	1
10	3552	Bearing Housing	2
11	1180	Bearing, NSK 6205-RS	2
12	4848	Bearing Spacer	1
13	2412	Pulley Spacer	1
14	5435	Pulley 8" dia.	1
15	3841	Key, 1/4" square x 3/4" long	1
16	3635	Washer, Special	1
17	1006	Washer, Hardened Domed	1
18	1051	Setscrew, 3/8" UNF x 1" long Nyloc	2
19	2425	Pulley Guard	1
20	2032	Bolt 5/16" UNF x 1 1/4" long	2
21	3737	Brake Arm	1
22	1663	'E' Clip	2
23	3608	Setscrew, 5/16" UNF x 1 1/4" long	2
24	3781	Spacer Plate	1
25	1956	Screw, Self Tapping, No.8 x 1" long	2
26	1962	Washer 2BA plain (T1)	9
27	1053	Nut 2BA Nyloc	4
28	2103	Tension Spring	1
29	3516	Pin, Spring Retainer	4
30	1331	Washer, 1/4" plain (T3L)	28
31	1270	Nut, 1/4" UNF Nyloc	16
32	3739	Brake Cable Assembly	1
33	3884	Hanger Bar Assembly	1
34	2025	Bolt 3/8" UNF x 2 1/2" long	2

Item	Part No	Description	Qty
35	1323	Washer 3/8" plain (T3L)	8
36	1324	Nut 3/8" UNF Nyloc	4
37	3792	Nut 3/8" UNF Locknut	2
38	2217	Tension Spring	2
39	3881	Height Adjuster Lever	1
40	2022	Bolt 1/4" UNF x 1/4" long	1
41	3883	Height Adjuster Quadrant	1
42	2429	Reinforcing Plate	1
43	1633	Washer, 3/8" Internal Shakeproof	1
44	1735	Machine Screw 2BA x 3/4" long	4
45	3734	Hitch Rod	2
46	3740	Pivot, Hitch Rod	2
47	3329	Spacer, 5/16" ID x 1/2" OD x 7/16" long	3
48	3746	Belt Guide Assembly	1
49	1667	Split Pin 1/8" dia. x 1" long	4
50	1105	Washer, 5/16" Plain (T3L)	34
51	3907	Link Plate	2
52	1321	Bolt 5/16" UNF x 1 1/2" long	2
53	3691	Bush, Link	2
54	3760	Link Plate	2
55	2420	Hitch Bar	2
56	3610	Setscrew 3/8" UNF x 1 1/2" long	2
57	4124	Washer 3/8" plain (T5)	2
58	3999	Cutter Guard Assembly	1
59	3995	Hinge Pillar	2
60	1767	Drive Belt, 42-5084	1
61	3905	Rubber Flap, Side Chute	1
62	3903	Retaining Plate	1
63	2595	Tension Spring	1
64	4968	Warning Label	2
65	3902	Retaining Pin	3
66	3730	Brake Block	1
67	1156	Setscrew 1/4" UNF x 3/4" long	2
68	3439	Height Adjuster Label	1
69	3618	Washer	1

Item	Part No	Description	Qty
70	4320	Brake Arm Support (Adjustable)	2
71	1225	'R' Clip	3
72	2649	Knob	1
73	4372	Spacer 5/16" ID x 3/4" OD x 1/2" long	2
74	2048	Washer, 5/16" Internal Shakeproof	2





**PARTS ILLUSTRATION FOR:  
36" Standard Cutter Deck**

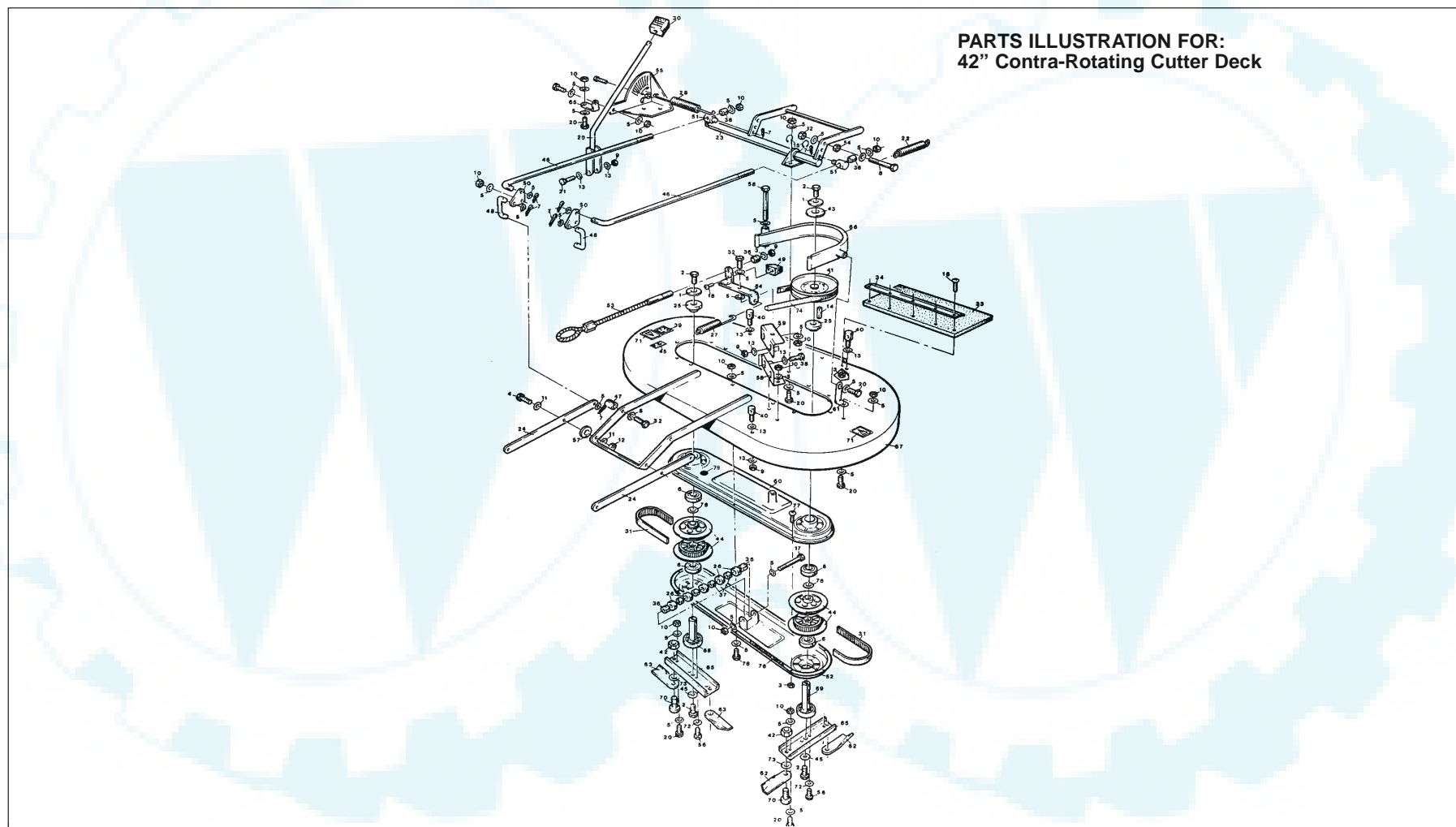


## PARTS LIST FOR: 36" Standard Cutter Deck

Item	Part No	Description	Qty
1	1006	Washer Hardened Dome	2
2	1051	Setscrew, 3/8" UNF x 1" LG Nyloc	4
3	1053	Nut, 2BA Nyloc	5
4	1076	Spring, Tension 4" long	2
5	1105	Washer, 5/16" dia. T3L	40
6	1156	Setscrew, 1/4" UNF x 3/4" long	4
7	1180	Bearing	4
8	2025	Bolt, 3/8" UNF x 2 3/4" long	2
9	1233	Split Pin, 1/8" dia. x 3/4" long	5
10	1270	Nut, 1/4" UNF Nyloc	7
11	1273	Nut, 5/16" UNF Nyloc	28
12	1318	Bolt, 5/16" x 2" long	2
13	1323	Washer, 1/8" dia T3L	8
14	1324	Nut, 3/8" UNF Nyloc	4
15	1331	Washer, 1/4" dia. T3L	13
16	1633	Washer, 3/8" dia. Internal Shakeproof	2
17	1663	'E' Clip	2
18	1735	Machine Screw, 2BA x 3/4" long	5
19	1956	Screw, No.8 x 1" long, Self Tapping	4
20	1962	Washer, 2BA T1L	5
21	1970	Washer, 5/16" dia. T4L	28
22	1982	Setscrew, 5/16" UNF x 3/4" long	18
23	2022	Bolt, 1/4" UNF x 1 1/4" long	1
24	2031	Setscrew, 5/16" UNF x 1" long	10
25	2048	Washer, 5/16" Internal Shakeproof	4
26	2103	Spring, Tension	1
27	2395	Hanger Bracket Assembly	1
28	2410	Hitch Bar	2
29	2412	Bush, Pulley	2
30	2595	Spring, Tension	1
31	2646	Height Adjuster Lever	1
32	2649	Knob	1
33	3294	Safety Guard	1
34	3295	Safety Guard Post	1
35	3397	Spacer	5

Item	Part No	Description	Qty
36	3439	Label, Height Adjustment	1
37	3516	Spring Retainer	3
38	3552	Bearing Housing	4
39		Not Allocated	
40	3610	Setscrew, 3/8" UNF x 1 1/2" long	2
41		Not Allocated	
42	3616	Washer, 5/16" dia. T4H	2
43	3635	Washer	2
44	4860	Label, Serial No.	1
45	3841	Key, 1/4" Square Drive	2
46	3730	Brake Block	2
47	3740	Pivot, Lift Rod	2
48	3753	Height Adjuster Quadrant	1
49	3759	Cutter Shaft	2
50	3779	Spacer Plate (Quadrant)	1
51	3781	Spacer Plate (Hanger Bracket)	1
52	3792	Locknut, 3/8" UNF	2
53	3907	Link Plate	2
54	3943	Pulley	2
55	4124	Washer, 3/8" dia. T5L	2
56	4220	Rubber Flap	1
57	4221	Bush Link	2
58	4225	Link Arm	2
59	4232	Brake Arm Pillar	1
60		Not Allocated	
61	4320	Brake Arm Bridge (Adjustable)	2
62	4848	Bearing Spacer	2
63	4934	Cutter Deck Shell	1
64	4937	Pulley/Belt Guard	1
65	4939	Hitch Rod, L/H	1
66	4940	Hitch Rod, R/H	1
67	4941	Brake Cable	1
68	4942	Retaining Strip	1
69	4943	Blade	2
70		Not Allocated	

Item	Part No	Description	Qty
71	4946	Brake Arm	1
72	4968	Label, Hazard, Large	2
73	1721	Belt	1
	2695	Belt T1600 and T1800 only	1



**PARTS ILLUSTRATION FOR:  
42" Contra-Rotating Cutter Deck**



## PARTS LIST FOR: 42" Contra-Rotating Cutter Deck

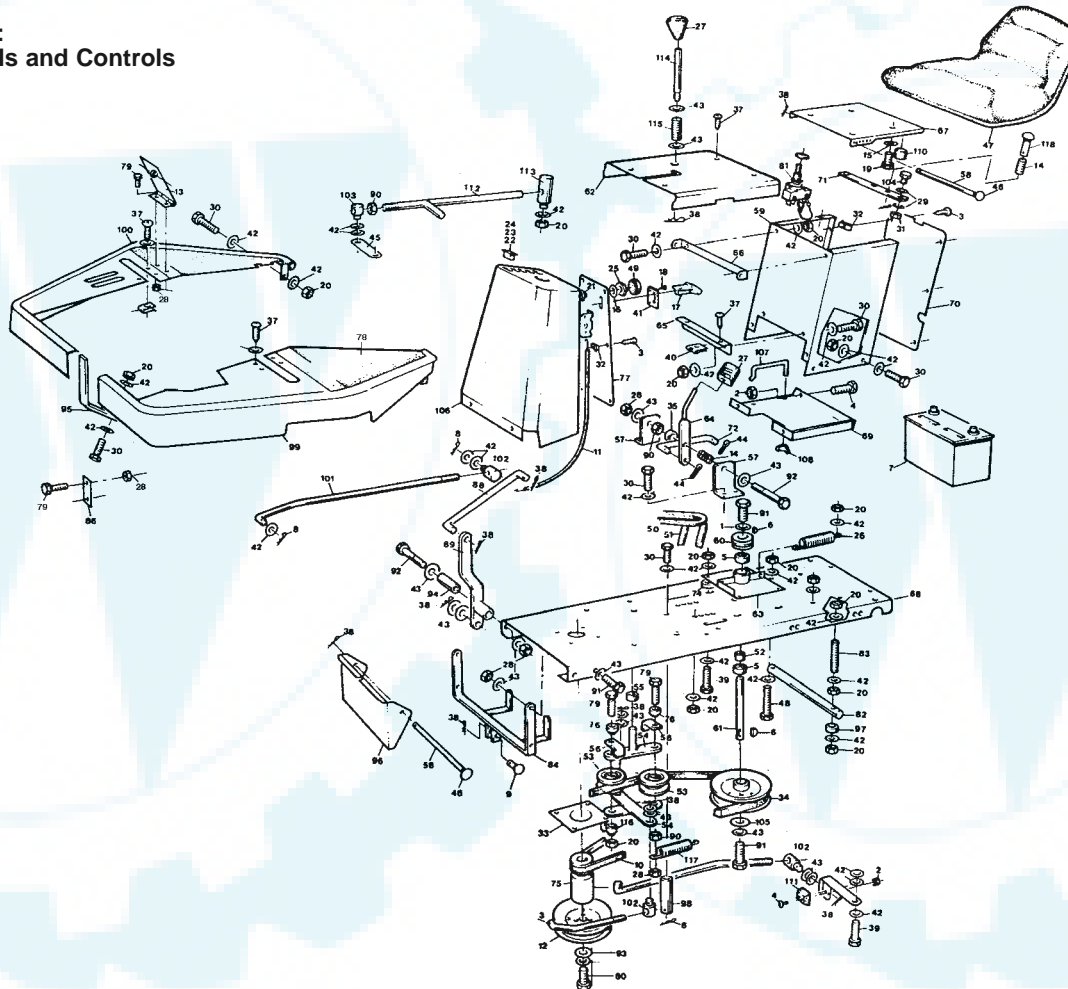
Item	Part No	Description	Qty
1	1006	Washer Hardened Dome	2
2	1051	Setscrew, 3/8" UNF x 1" LG Nyloc	4
3	1053	Nut, 2BA Nut Nyloc	9
4	1054	Bolt, 3/8" UNF x 1.5" long	2
5	1105	Washer, 5/16" T3L	10
6	1180	Bearing NSK 6205-RS	4
7	1233	Split Pin, 1/8" dia. x 3/4" LG	8
8	2025	Bolt, 3/8" UNF x 2 1/4" LG	2
9	1270	Nut, 1/4" UNF Nut Nyloc	8
10	1273	Nut, 5/16" UNF Nut Nyloc	23
11	1323	Washer, 3/8" T3L	8
12	1324	Nut, 3/8" UNF Nut Nyloc	4
13	1331	Washer, 1/4" T3L	13
14	3841	Key Parallel, 1/4" SQ x 3/4" LG	1
15	1663	Clip 'E' Spring A 1500-75	2
16	1735	Machine Screw, 2BA x 3/4" LG Pozi-Pan	5
17	1933	Bolt, 5/16" UNF x 3.5" LG	1
18	1956	Screw, No.8 x 1" LG Selftap Pozi-drive	2
19	1962	Washer, 2BA T1	7
20	1982	Setscrew, 5/16" UNF x 3/4" LG	8
21	2022	Bolt, 1/4" UNF x 1 1/4" LG	1
22	2217	Tension Spring	2
23	2395	Hanger Bracket Assembly	1
24	2410	Hitch Bar	2
25	2412	Pulley Bush	2
26	2445	Bearing NSK 608 2RS 1QE6	5
27	2594	Tension Spring	1
28	2595	Tension Spring	1
29	2646	Height Adjuster Lever Assembly	1
30	2649	Knob	1
31	2660	Belt, Toothed 1440 8M20	1
32	2032	Setscrew, 5/16" UNC x 1 1/2" LG	5
33	3286	Rubber Flap	1

Item	Part No	Description	Qty
34	3287	Rubber Flap Retaining Strip	1
35	3635	Washer	2
36	3329	Spacer, 1/2" OD x 8.2mm ID x 7/16" LG	5
37	3338	Spacer, 1/2" OD x 5/16" ID x 1/8" LG	4
38	1156	Setscrew, 1/4" UNF x 3/4" long	3
39	3439	Label, Height Adjustment	1
40	3516	Swivel Bar Pin & Spring Retainer	3
41	3548	Pulley Assy 7" dia. Deep Draw	1
42	3585	Nut, Locknut M12 Fine Pitch	4
43	3635	Washer, 2.75" dia. x 30mm ID x 10G	1
44	3636	Pulley, Toothed H.T.D.	2
45	1633	Washer, 3/8" dia. Internal Shakeproof	2
46	3690	Hitch Rod	2
47	3691	Bush, Link	2
48	3694	Hitch Bent Link	2
49	3730	Brake Block	1
50	3735	Link Plate	2
51	3740	Lift Rod Pivot	2
52	3778	Belt Case Assy. Lower	1
53	3783	Brake Cable Assy.	1
54	3792	Nut, 3/8" UNF Locknut	2
55	3794	Height Adjuster Plate Assy.	1
56	4107	Setscrew, 5/16" UNF x 1/2" LG Nyloc	4
57	4124	Washer, 3/8" T5	2
58	1312	Bolt, 5/16" UNF x 3" long	1
59	4320	Brake Arm Bridge (Adjustable)	2
60	4690	Belt Case Assy. Upper	1
61	4694	Belt Guard Fixing Bracket	1
62	4870	Blade, Swing, L/H	2
63	4871	Blade, Swing, R/H	2
64	4875	Brake Arm Assy.	1
65	5438	Blade Carrier, Heavy Duty	2
66	4877	Drive Pulley Guard Assy.	1
67	4880	Deck Welded Assy.	1
68	4882	Cutter Shaft Sub-Assy. (short)	1

Item	Part No	Description	Qty
69	4883	Cutter Shaft Sub-Assy (long)	1
70	4885	Pivot Bolt AISI 4042	4
71	4968	Label, Hazard, large	2
72	2048	Washer, 5/16" Internal Shakeproof	4
73	4126	Washer, 5/8" ID x 1" OD	4
74	2226	Drive Belt Dayco 42/7699	1
75	5720	Washer	2
76	6409	Gasket, Belt Case (Not Illustrated)	1
77	1734	Machine Screw, 2BA x 1/2" long	4
78	2031	Setscrew, 5/16" UNF x 1" long	11
79	6966	Inspection Cap	1
<b>KITS</b>			
	2444	Bridge Roller Assembly Complete	1
	4817	Belt Case Assembly Complete	1



**PARTS ILLUSTRATION FOR:  
Clipper Chassis, Body Panels and Controls**





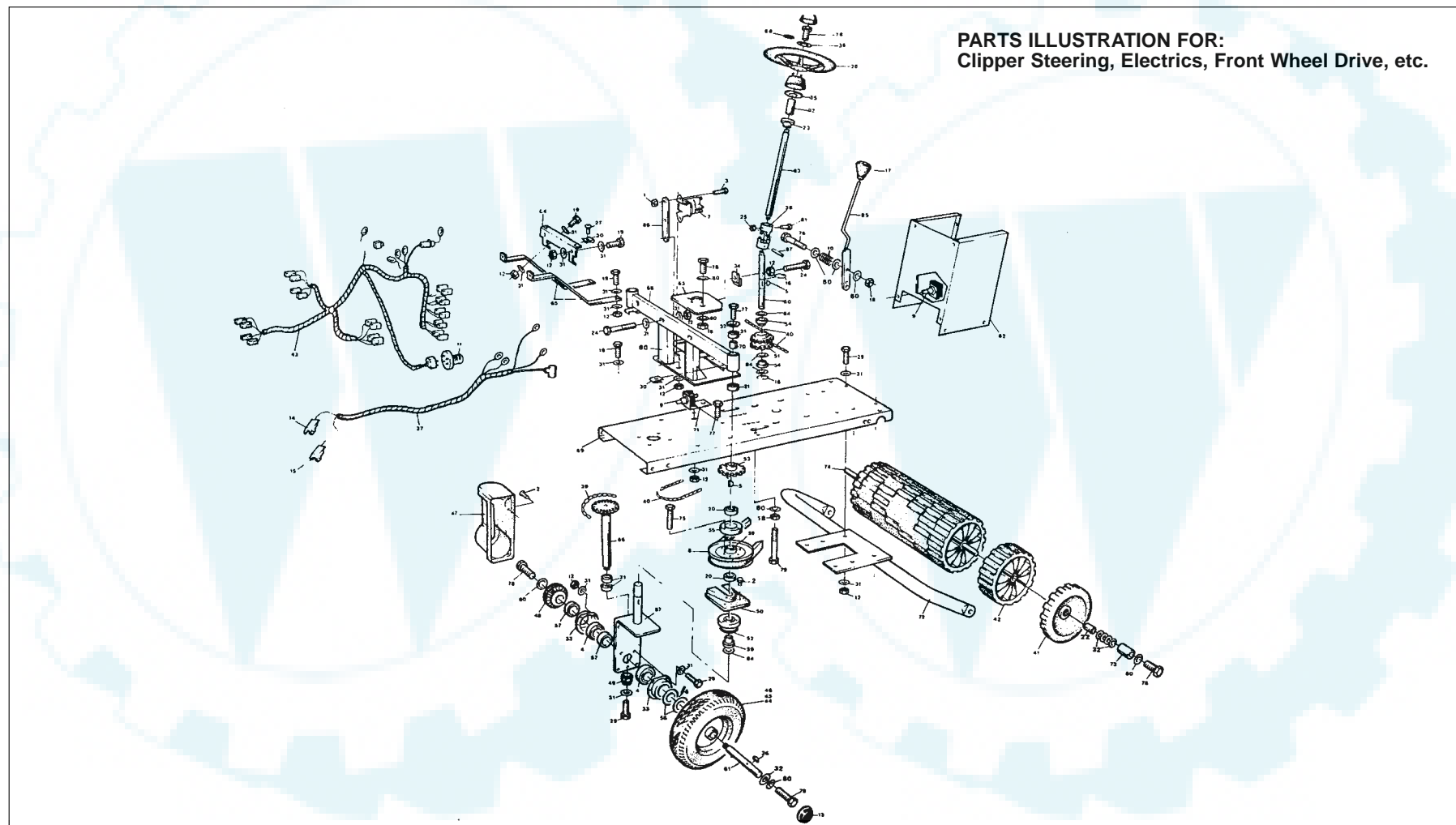
## PARTS LIST FOR: Clipper Chassis, Body Panels and Controls

Item	Part No	Description	Qty	Item	Part No	Description	Qty	Item	Part No	Description	Qty
1	1006	Washer, Hardened Dome	1	36	5480	Setscrew, M8 x 30mm long	4	69	5783	Battery Tray	1
2	1053	Nut, 2BA Nyloc	2	37	3847	Screw, No.12 x 1/2" long	8	70	5784	Back Plate, Seat Pedestal	1
3	1058	Screw, No.8 x 3/8"	12	38	4086	'R' Clip	6	71	5790	Bracket, Collector Mounting	1
4	1143	Screw, 2BA x 7/8"	2	39	4111	Setscrew, M8 x 25mm long	6	72	5808	Link, PTO Engage	1
5	1180	Bearing	2	40	4118	'J' Nut, No.12	12	73	6308	Rod, Jockey Operating	1
6	1181	Woodruff Key	2	41	4144	Throttle Plate	1	74	5824	Spacer, PTO Bearing Housing	4
7	1209	Battery	1	42	4180	Washer, M8	4	75	5833	Pulley Block	1
8	1225	'R' Clip	2	43	4182	Washer, M10	4	76	5834	Spacer, Shouldered	2
9	1249	Pin, Tie Bar	1	44	4192	Split Pin, 3/32" x 1/2" long	2	77	5845	Console Cover Plate	1
10	1414	Belt	1	45	4718	Lever	1	78	6306	Flex Tred	As req
11	1507	Throttle Control	1	46	4831	Washer, Starlock	1	79	5848	Setscrew, M10 x 65mm long	2
12	1558	Pulley	1	47	5035	Seat	1	80	6202	Bolt, 3/8" UNF x 3" long	1
13	6295	Foot Pedal	1	48	5093	Bolt, M8 x 50mm	1	81	6422	Switch, Arcoelectric	1
14	1613	Spring	2	49	5600	Bezel, Starter Switch	1	82	5861	Hanger Bar	1
15	1633	Washer, 3/8" Shakeproof	4	50	5655	Belt, A50	1	83	5862	Stud, Hanger Bar Support	2
16	1976	Washer, 1" OD x 5/8" ID	1	51	5656	Belt, A51	1	84	5863	Hitch Bar	1
17	2010	Throttle Knob	1	52	5728	Spacer, Bearing Housing	1	85	6294	Rod, Brake Operating	1
18	2021	Screw, 4BA x 1/2" long	2	53	5730	Jockey Pulley	2	86	6429	Flanged Joining Plate	1
19	2034	Setscrew, 3/8" UNC x 3/4" long	4	54	5732	Jockey Arm, Top	1	87	6230	Arm, Brake Operating	1
20	2044	Nut, M8 Nyloc	24		6332	Jockey Arm, Bottom	1	88	6297	Rod Operating, Foot Pedal	1
21	2049	Washer, 5/8" Shakeproof	1	55	5734	Bush, Jockey Arm	1	89	6313	Foot Pedal Arm	1
22	2062	Indicator Light, Green	1	56	5735	Belt Guide	2	90	6116	Nut, M10 Plain	2
23	2063	Indicator Light, Amber	1	57	5741	Bracket, PTO Lever	2	91	6117	Setscrew, M10 x 25mm long	2
24	2064	Indicator Light, Red	1	58	5744	Bar, Seat Retaining	2	92	6119	Bolt, M10 x 40mm long	2
25	2065	Nut, Ignition Switch	1	59	5752	Seat Pedestal	1	93	4125	Washer, 1/2" T3L	1
26	2217	Spring	2	60	5757	Pulley, PTO Drive	1	94	6139	Spacer, Foot Pedal	1
27	2648	Knob	1	61	5758	PTO Shaft	1	95	6428	Support Bracket	1
28	2761	Nut, M10 Nyloc	7	62	6327	Centre Floor Panel	1	96	6147	Pulley Guard	1
29	2763	Washer, M6 (Form B Light)	14		6305	Trim, 370mm long	As req	97	6148	Roller, Rear Hanger	2
30	2764	Setscrew, M8 x 20mm long	11	63	5761	Bearing Housing	1	98	6150	Pillar, Cutter Brake	1
31	2767	Nut, M6 Nyloc	6	64	5763	PTO Lever	1	99	6431	Footplate, LH	1
32	3038	'J' Nut, No.8	1	65	5766	Retaining Plate, Rear	1	100	6432	Footplate, RH	1
33	3468	Belt Guide Assembly, Engine Pulley	1	66	5768	Bracket, Seat Pivot	1	101	6160	Rod, Cutter Engage	1
34	3548	Pulley	1	67	5769	Seat Plate	1	102	6164	Swivel, Engage Rod	3
35	3863	Spacer	1	68	5779	Chassis	1	103	6316	Swivel, Long	1



**PARTS LIST FOR:**  
**Clipper Chassis, Body Panels and Controls**

Item	Part No	Description	Qty	Item	Part No	Description	Qty	Item	Part No	Description	Qty
104	6170	Setscrew, M6 x 20mm long	2								
105	6199	Washer	4								
106	6203	Console	1								
107	6204	Bar, Battery Retaining (early machines)	1								
	6322	Bracket, Retaining (later machines)	1								
108	6205	Nut, 1/4" UNC Wing	1								
109	6209	Washer, M10 Shakeproof	1								
110	6224	Rubber Seat Stop	2								
111	6326	Brake Pad	1								
112	6310	Rod, Park Brake	1								
113	6315	Support Post, Brake Rod	1								
114	6311	Plunger, Park Brake	1								
115	2003	Spring, Compression	2								
116	6336	Spacer, Shouldered	2								
117	2103	Spring, Clutch	1								
118	3349	Pin	1								



**PARTS ILLUSTRATION FOR:**  
Clipper Steering, Electrics, Front Wheel Drive, etc.



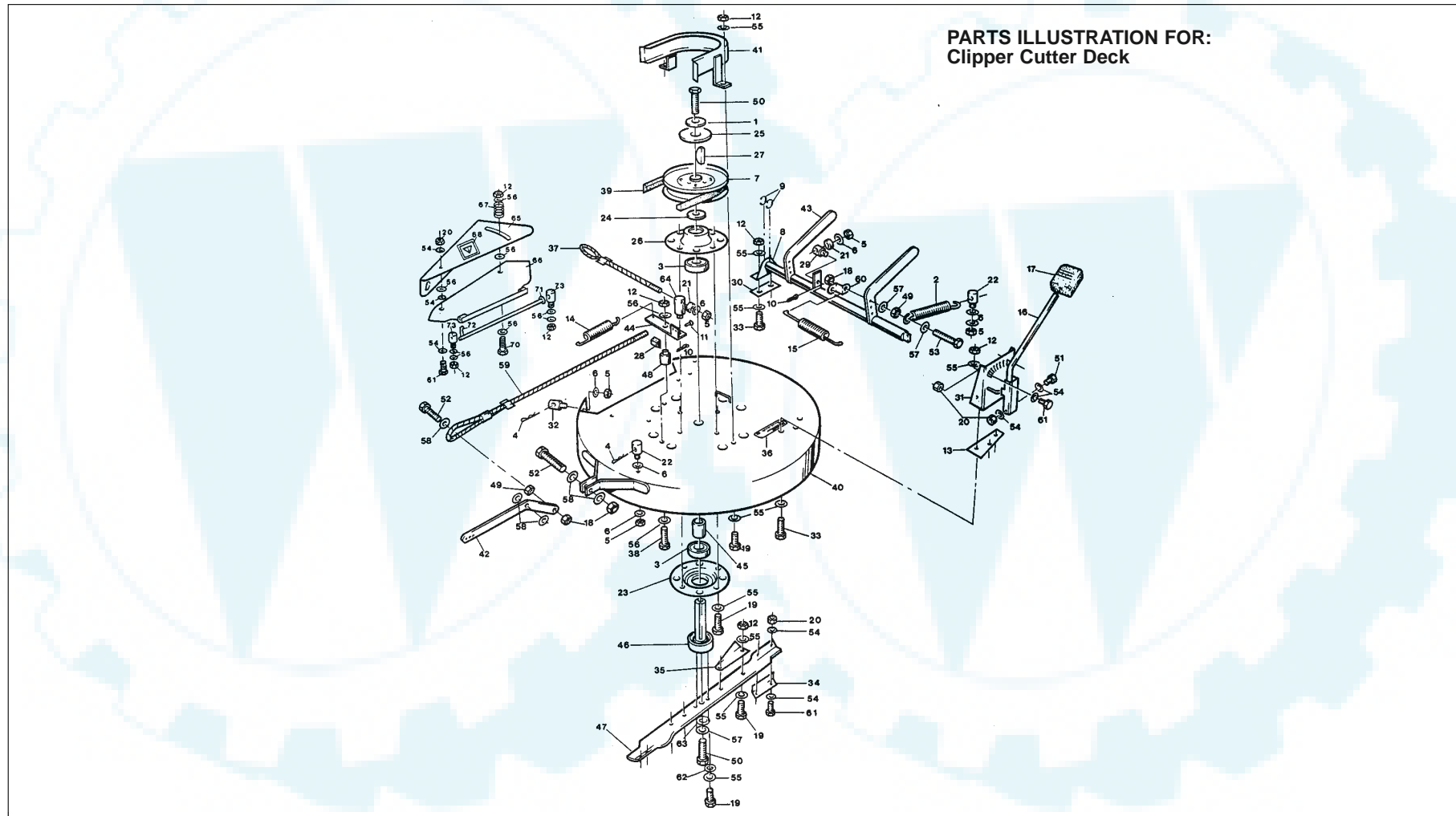


## PARTS LIST FOR: Clipper Steering, Electrics, Front Wheel Drive, etc.

Item	Part No	Description	Qty
1	1053	Nut, 2BA Nyloc	2
2	1058	Screw, No.8 x 3/8" long, Self Tapping	12
3	1143	Screw, 2BA x 7/8" long	2
4	1180	Bearing, NSK 6205-RS	4
5	1181	Woodruff Key, No.505	2
6	1457	Roll Pin, 1/8" x 3/4" long	2
7	1530	Solenoid	1
8	1558	Pulley	2
9	1608	Safety Switch	3
10	1613	Spring	1
11	1649	Ignition Switch	1
12	2044	Nut, M8 Nyloc	20
13	2068	Hub Cap	2
14	2090	Battery Connector – Red	1
15	2091	Battery Connector – Blue	1
16	2589	'E' Spring Clip	2
17	2649	Knob	1
18	2761	Nut, M10 Nyloc	5
19	2764	Setscrew, M8 x 20mm long	5
20	3031	Bearing, NSK 6203-2RS	4
21	3229	Bearing, NSK 6003 ZZ	8
22	3355	Bush, Axle	14
23	3539	Bush, Steering Column	1
24	3653	Setscrew, M8 x 40mm long	3
25	3689	Nut, M5 Nyloc	1
26	3728	Woodruff Key, No.806	2
27	3847	Screw, No.12 x 1/2" long	4
28	3946	Steering Wheel	1
29	4111	Setscrew, M8 x 25mm long	6
30	4118	'J' Nut	4
31	4180	Washer, M8	8
32	3713	Washer, 33mm OD x 49/64" ID x 16g	7
33	4265	Bearing Housing	4
34	4309	'J' Nut, M8 Captive	1
35	4771	Washer, Steering Wheel	1

Item	Part No	Description	Qty
36	4808	Steering Washer	1
37	5647	Loom, Battery Circuit	1
38	5651	Universal Joint	1
39	5652	Chain, Short (Gearbox Drive)	2
40	5653	Chain, Long (Steering)	2
41	5659	Roller, End Cap	2
42	5660	Roller, Section	7
43	5662	Loom, Main Wiring	1
44	5665	Tyre, 12 x 4	2
45	5666	Inner Tube	2
46	5667	Wheel Rim and Hub	2
47	5669	Gear Guard	2
48	5670	Bevel Gear, Large	2
49	5671	Bevel Gear, Small	2
50	5673	Chain Guard	2
51	5678	Steering Sprocket (14 Teeth)	1
52	5679	Input Sprocket	2
53	5681	Steering Sprocket (28 Teeth)	2
54	5683	Bush, Oilite	2
55	5684	Bearing Housing	2
56	5720	Washer	4
57	5724	Spacer	4
58	5726	Spacer, Top Hat	4
59	5727	Spacer, Bearing	2
60	5738	Steering Column, Short	1
61	5747	Wheel Axle	2
62	5752	Seat Pedestal	1
63	5765	Plate, Steering Assembly	1
64	5767	Retaining Plate, Front	1
65	5770	Axle Brace	2
66	5772	Input Sprocket	2
67	5773	Gearbox Housing	2
68	5775	Axle/Steering Box	1
69	5779	Chassis	1
70	5782	Spacer, Axle Bearing	2

Item	Part No	Description	Qty
71	6366	Bracket, Switch Mounting	1
72	5798	Bracket, Roller Mounting	1
73	5805	Spacer, Roller Shaft	2
74	5806	Roller, Shaft	1
75	5847	Setscrew, M6 x 30mm long	6
76	5848	Bolt, M10 x 65mm long	1
77	5849	Setscrew, Nyloc M8 x 20mm long	2
78	5850	Setscrew, M10 x 25mm long	8
79	6120	Bolt, M10 x 45mm long	2
80	6124	Washer, M10 (Form B)	6
81	6130	Bolt, M5 x 35mm long	1
82	6131	Spacer, Steering Column	1
83	6132	Steering Column	1
84	6156	Washer, Steering Sprocket	2
85	6165	Engage Lever	1
86	6206	Bracket, Solenoid Mounting	1
87	6207	Roll Pin, 5mm x 35mm long	1
88	6209	Washer, M10 Shakeproof	1



**PARTS ILLUSTRATION FOR:  
Clipper Cutter Deck**



## PARTS LIST FOR: Clipper Cutter Deck

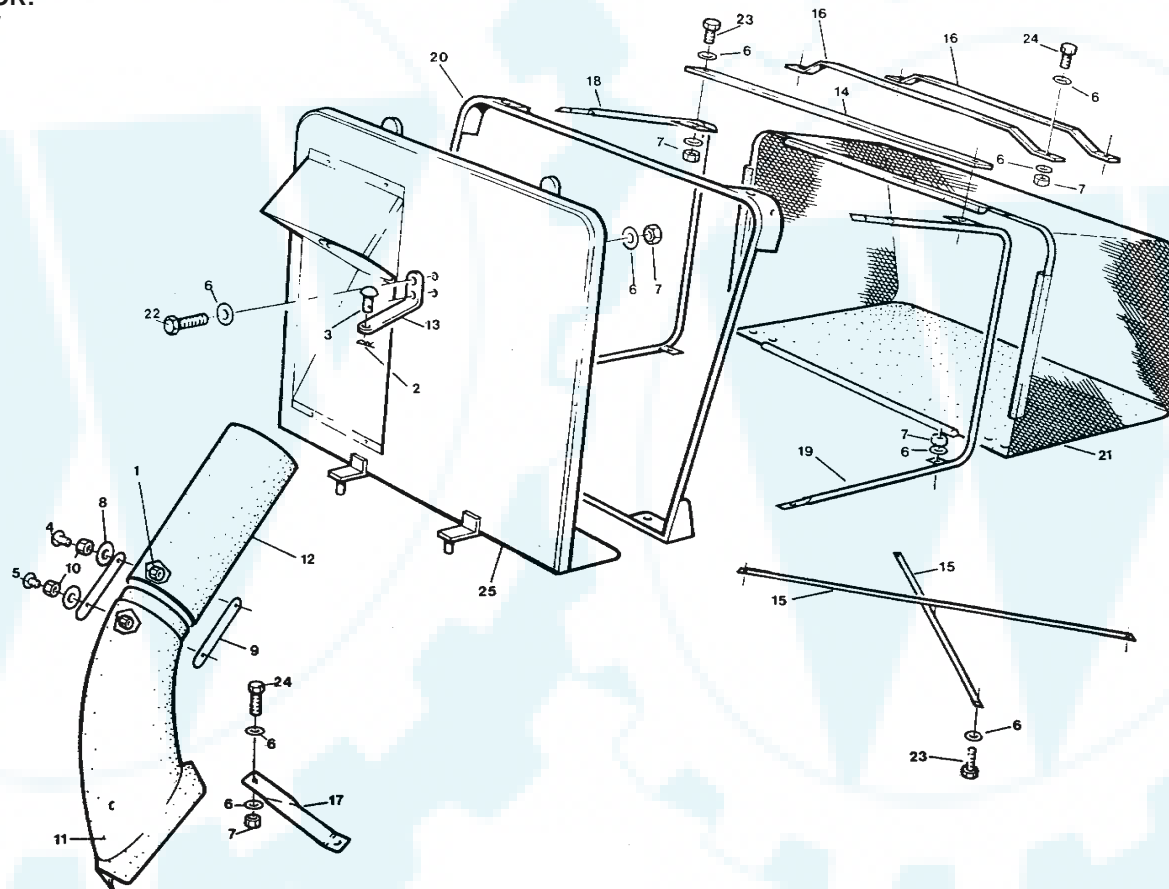
Item	Part No	Description	Qty
1	1066	Washer, Hardened Domed	1
2	1076	Spring, Tension	2
3	1180	Bearing, NSK 6205-RS	2
4	1225	'R' Clip	3
5	1270	Nut, 1/4" UNF Nyloc	8
6	1331	Washer, 1/4" T3L	22
7	3458	Pulley	1
7A	6814	Boss (for Pulley - 3458)	1
7B	8499	Pulley & Boss	1
8	1614	Support Bracket	1
9	1663	'E' Clip	2
10	1667	Split Pin	2
11	1956	Screw, Self Tapping, No.8	2
12	2044	Nut, M8 Nyloc	16
13	2429	Reinforcing Plate	1
14	2594	Spring, Tension	1
15	2595	Spring	1
16	3881	Lever, Height Adjuster	1
17	2649	Knob	1
18	2761	Nut, M10 Nyloc	4
19	2764	Setscrew, M8 x 20mm long	12
20	2767	Nut, M6 Nyloc	8
21	3329	Spacer, 1/2" OD x 8.2mm x 7/16" long	2
22	3516	Spring, Retainer	3
23	3552	Bearing Housing	1
24	3618	Washer, 35mm OD x 25.2mm ID x 4mm long	1
25	3635	Washer, 2.75" OD x 30mm ID x 10g	1
26	3639	Bearing Housing, small	1
27	3728	Woodruff Key, No.806	1
28	3730	Brake Block	1
29	3740	Pivot, Hitch Rod	1
30	3781	Spacer Plate (Height Adjuster Bracket)	1
31	3883	Quadrant, Height Adjuster	1

Item	Part No	Description	Qty
32	3902	Retaining Pin	3
33	4111	Setscrew, M8 x 25mm long	5
34	4314	Blade Extension, small	2
35	4317	Blade Extension, large	2
36	4860	Label, Serial No.	1
37	4941	Brake Cable	1
38	5093	Bolt, M8 x 50mm long	1
39	5672	Belt, B65	1
40	5827	Cutter Deck Shell	1
41	5830	Belt Guard	1
42	5835	Hanger Arm	1
43	5836	Hanger Bar Assembly	1
44	5840	Brake Arm	1
45	6087	Bearing Spacer	1
46	6088	Cutter Shaft	1
47	6096	Cutter Blade	1
48	6110	Post, Brake Lever	1
49	6116	Nut, M10 Plain	3
50	6117	Setscrew, M10 x 25mm long	2
51	6118	Bolt, M6 x 35mm long	1
52	6375	Setscrew, M10 x 40mm long	2
53	6119	Bolt, M10 x 45mm	2
54	6121	Washer M6 (Form B)	11
55	6122	Washer, M8 (Form B)	24
56	6123	Washer, M8 (Form C)	18
57	6124	Washer, M10 (Form B)	1
58	6125	Washer, M10 (Form C)	8
59	6129	Cable, Height Adjuster	1
60	6155	Retainer, Spring	1
61	6170	Setscrew, M6 x 20mm long	7
62	6208	Washer, M8 Internal Shakeproof	2
63	6209	Washer, M10 Internal Shakeproof	1
64	6220	Pillar, Brake Arm	1
65	6474	Sliding Plate, Side Discharge	1
66	6476	Swivel Plate, Side Discharge	1

Item	Part No	Description	Qty
67	1613	Spring	1
68	4968	Label, Hazard Warning (large)	2
69	4826	Rod	1
70	3653	Setscrew, M8 x 40mm long	1
71	4831	Starlock Fastener	1
72	4086	'R' Clip	1
73	6478	Hinge Pillar	2
	6430	NOT ILLUSTRATED Deck Reinforcing Plate (for Chute Exit)	1



**PARTS ILLUSTRATION FOR:  
Clipper Vacuum Collector**





**PARTS LIST FOR:  
Clipper Vacuum Collector**

Item	Part No	Description	Qty
1	1053	Nut, 2BA Nyloc	4
2	1225	'R' Clip	1
3	1249	Pin, Tie Bar	1
4	1734	Machine Screw, 2BA x 1/2" long	2
5	1735	Machine Screw, 2BA x 3/4" long	2
6	2763	Washer, 6mm	28
7	2767	Nut, M6 Nyloc	14
8	3947	Washer, 1" OD x 3/16" ID	2
9	3948	Rubber Strap	2
10	4209	Nut, 2BA Locknut	2
11	5663	Deck Moulding	1
12	5664	Tube, Side Discharge	1
13	5795	Bracket, Mounting Top	1
14	6068	Frame, Rear Brace	1
15	6069	Frame, Cross Member	2
16	6074	Frame Handle	2
17	6078	Bracket, Mounting	1
18	6085	Side Frame Assembly, RH	1
19	6086	Side Frame Assembly, LH	1
20	6092	Front Frame Assembly	1
21	6101	Net, Collector Bag	1
22	6118	Bolt, M6 x 35mm	2
23	6170	Setscrew, M6 x 20mm	4
24	6171	Setscrew, M6 x 25mm	10
25	6186	Back Panel and Chute Assembly	1

Item	Part No	Description	Qty

Item	Part No	Description	Qty